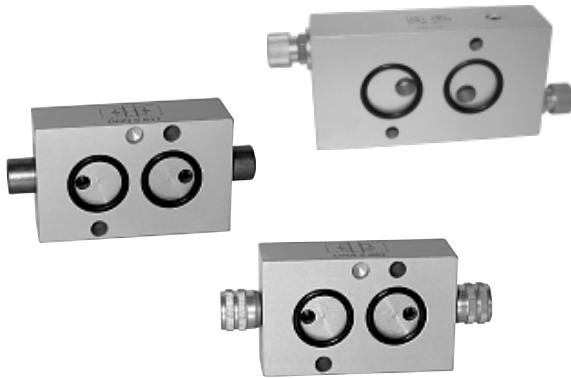
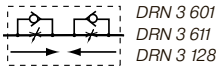


# DRN 3 601/DRN 3 611/DRN 3 128

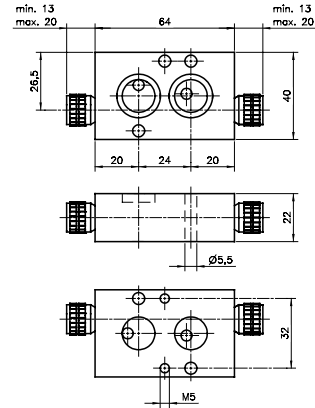
Flow regulator plate



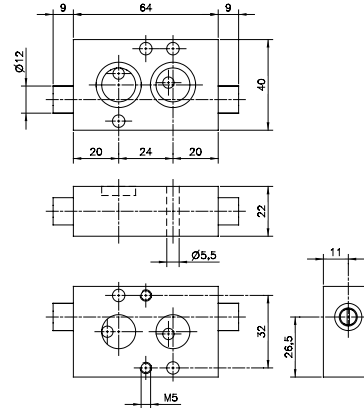
Block form flow regulator as intermediate plate, interface according to NAMUR-standard, for 3/2-way valves with exhaust air recirculation.

To regulate the forward stroke of a single acting pneumatic actuator and to regulate the exhaust air going into the spring return unit. DRN 3 601 and DRN 3 128 to be operated manually, DRN 3 611 with a screw-driver.

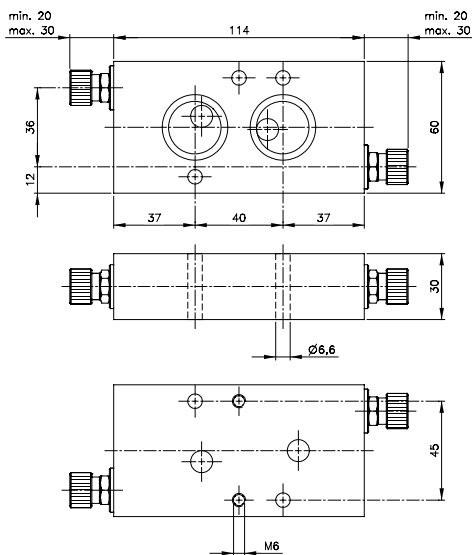
If flow regulator is required with G 1/4" ports, plate GPN 1/4 can be added. For details please refer to page 2.10.14. Delivery includes 1 pin, 2 screws, 2 O-rings.



DRN 3 601



DRN 3 611



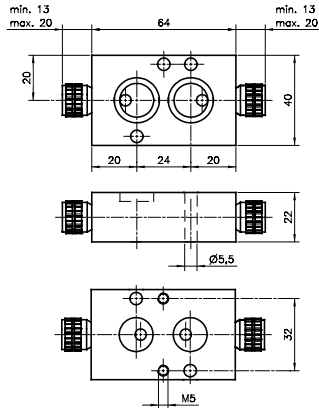
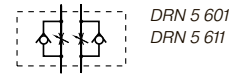
DRN 3 128

Type	Function	NAMUR	Port size	Max. air flow	Operating pressure	Weight
DRN 3 601	3-way	1/4"	Ø 5 mm	650 l/min	0,5 - 10 bar	0,18 kg
DRN 3 611	3-way	1/4"	Ø 5 mm	650 l/min	0,5 - 10 bar	0,18 kg
DRN 3 128	3-way	1/2"	Ø 8 mm	1.500 l/min	0,5 - 10 bar	0,60 kg

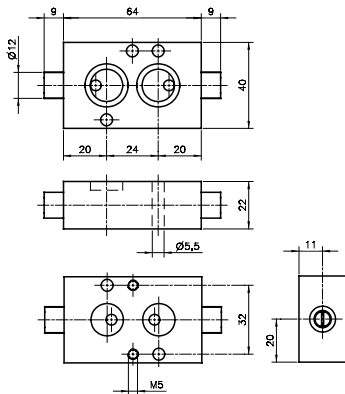


# DRN 5 601/DRN 5 611

Flow regulator plate



**DRN 5 601**



**DRN 5 611**

Block form flow regulator as intermediate plate, interface according to 1/4" NAMUR-standard, for 5-way valves only.

To regulate the forward- and backward-stroke of a double acting pneumatic actuator. DRN 5 601 and DRN 5 501 to be operated manually, DRN 5 611 with a screw-driver.

If flow regulator is required with G 1/4" ports, plate GPN 1/4 can be added. For details please refer to page 2.10.14.

Delivery includes 1 pin, 2 screws, 2 O-rings.

Type	Function	Port size	Max. air flow	Operating pressure	Weight
DRN 5 601	5-way	Ø 5 mm	650 l/min	0,5 - 10 bar	0,18 kg
DRN 5 611	5-way	Ø 5 mm	650 l/min	0,5 - 10 bar	0,18 kg

